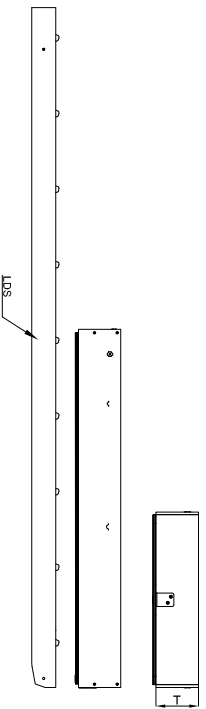
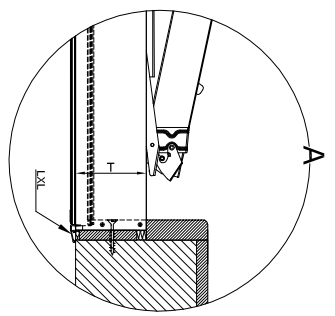
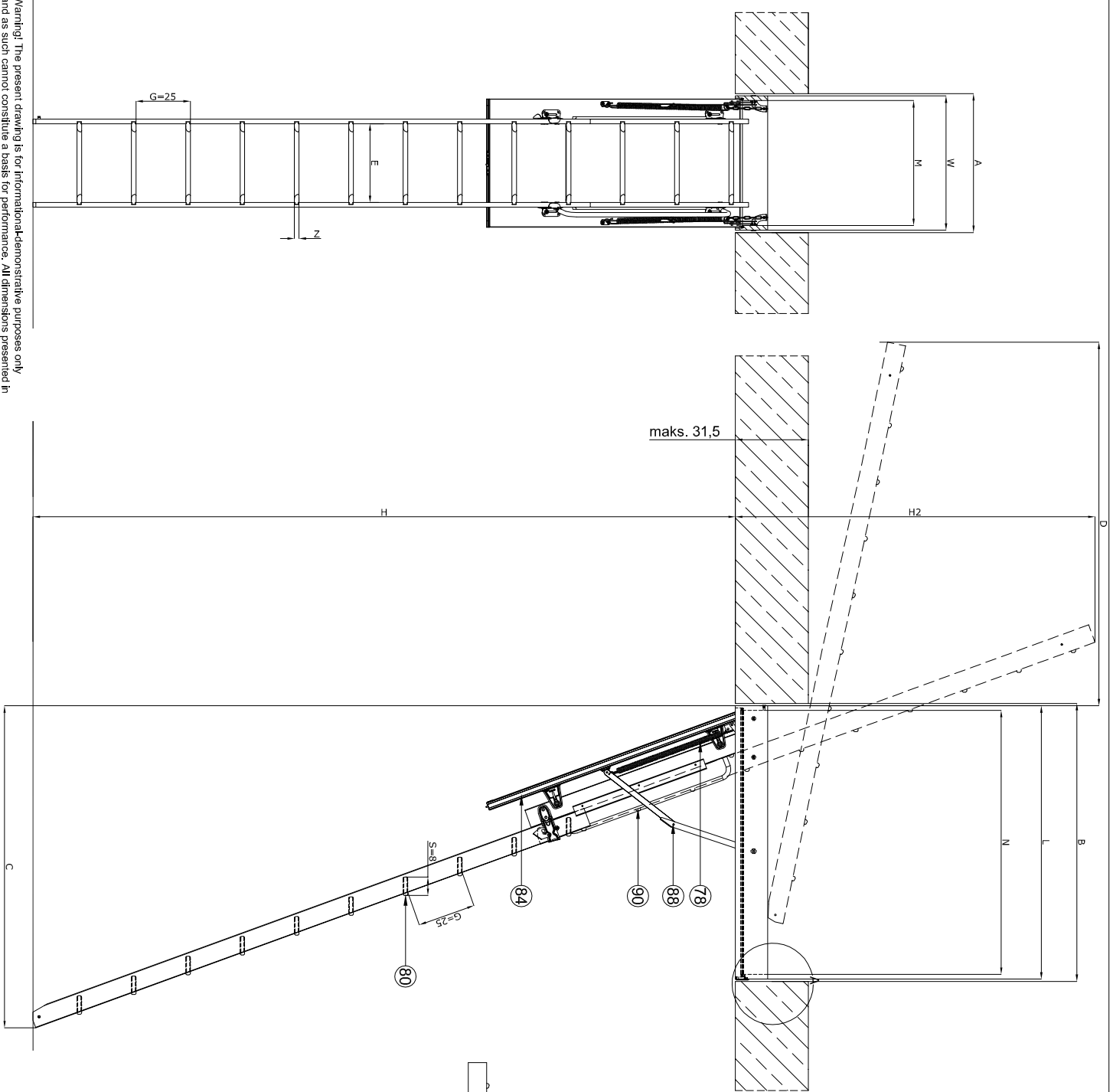


Warning! The present drawing is for informational-demonstrative purposes only and as such cannot constitute a basis for performance. All dimensions presented in this drawing should be verified on site. Because of the fact that the drawing is a schematic one, FAKRO shall not assume any responsibility for the actual installation quality. This drawing is FAKRO's property and cannot be published or used publicly without our written consent.



7/8-Spring
8/4-Thermo-insulated hatch
8/4-Side bracket
9/0-LXH handrail

LXL ladder dimensions	
E	S
Height	Step height
34	8
Z	G
Step width	Staircase width
2	25

H	A	B	D	C	T	H2	W/L	M/N
Roof height	Vertical distance between steps	Ladder width	Roof height from top of hatch	Roof slope	Roof pitch	Height of the hatch	Roof structure	Roof pitch
[cm]	[cm]	[cm]	[cm]	[cm]	[cm]	[cm]	[cm]	[cm]
280	60 70 70 70	120 120 130 140	130	130	14	130	58x118.4 68x123.4 68x138.4	43.6x114 53.6x124 53.6x134
305	60 70 70 70	120 130 140	155	140	14	155	68x118.4 68x128.4 68x138.4	43.6x124 53.6x134 53.6x144
335	60 70 70	120 130 140	184	150	184	184	68x118.4 68x128.4 68x138.4	43.6x114 53.6x124 53.6x134



Technical drawing:
The LDK Loft Ladder

FORMAT: A4

SCALE: 1:25/1:15

DATE: 07.2011